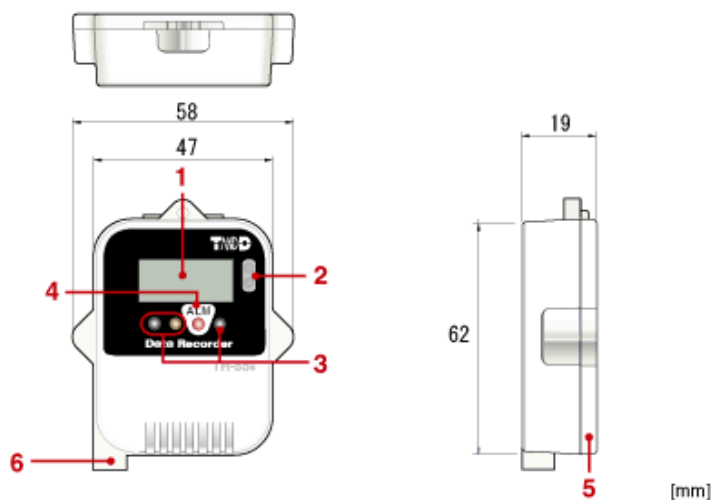


	TR-55i-TC	TR-55i-Pt	TR-55i-V	TR-55i-mA	TR-55i-P
Measurement Channels	Temperature 1ch	Temperature 1ch	Voltage 1ch	4-20mA 1ch	Pulse Count 1ch
Sensor	Thermocouple: Type K, J, T, S	Pt100, Pt1000 (3-wire)	-	-	-
Units of Measurement	°C, °F	°C, °F	V, mV	mA	P
Measurement Range	-199 to 1700 °C	-199 to 600 °C	0 to 22 V	0 to 20 mA (Operational up to 40 mA)	
Accuracy	Thermocouple Measurement $\pm 0.3^{\circ}\text{C} + 0.3\%$ of reading (Type K, J, T) $\pm 1^{\circ}\text{C} + 0.3\%$ of reading (Type S) Cold Junction Compensation $\pm 0.3^{\circ}\text{C}$ (10 to 40°C) $\pm 0.5^{\circ}\text{C}$ (-40 to 10°C / 40 to 80°C)	$\pm 0.3^{\circ}\text{C} + 0.3\%$ of reading (10 to 40°C) $\pm 0.5^{\circ}\text{C} + 0.3\%$ of reading (-40 to 10°C / 40 to 80°C)	$\pm 0.5\text{ mV} + 0.3\%$ of reading (10 to 40°C) $\pm 1\text{ mV} + 0.5\%$ of reading (-40 to 10°C / 40 to 80°C)	$\pm 0.05\text{ mA} + 0.3\%$ of reading (10 to 40°C) $\pm 0.1\text{ mA} + 0.3\%$ of reading (-40 to 10°C / 40 to 80°C)	Input Signal: • Non-voltage Contact Input • Voltage Input (0 to 27 V) Detection Voltage Lo: 0.5 V or less Hi: 2.5V or more Input Impedance: Approx. 100 KΩ pull up
	Note: The above mentioned temperature is the operating environment for Input Module only.				
Measurement Resolution	Type K, J, T : 0.1 °C Type S : Approx. 0.2 °C	0.1 °C	up to 400mV: at 0.1mV, up to 800mV: at 0.2mV, up to 999mV: at 0.4mV, up to 3.2V: at 1mV, up to 6.5V: at 2mV, up to 9.999V: at 4mV, up to 22V: at 10mV	0.01 mA	Chattering Filter: ON: 15 Hz or less OFF: 3.5 kHz or less Maximum Count 61,439 / Recording Interval
Logging Capacity	16,000 readings				
Recording Interval	Select from 15 choices: 1, 2, 5, 10, 15, 20, 30 sec. or 1, 2, 5, 10, 15, 20, 30, 60 min.				
Recording Mode	Endless (Overwrite oldest data when capacity is full) or One Time (Stop recording when capacity is full)				
LCD Display Items	Measurements, Recording Status, Battery Life Warning, etc.				
Communication Interfaces	Optical Communication (proprietary protocol) Infrared Communication (IrPHY 1.2 low power)				
Power	Lithium Battery: LS14250 (*1) or CR2 (*2) x 1				

Battery Life(*3)	Approx. 14 months (10 months with Infrared Comm. Enabled)	Approx. 24 months (14 months with Infrared Comm. Enabled)	Approx. 16 months (11 months with Infrared Comm. Enabled)	Approx. 16 months (11 months with Infrared Comm. Enabled)	Approx. 16 to 24 months (11 to 18 months with Infrared Comm. Enabled)
Dimensions	H 62 mm x W 47 mm x D 19 mm (excluding protrusions and Input Module)				
Weight	Approx. 55 g (including battery / excluding Input Module)				
Operating Environment	-40 to 80 °C				
Waterproof Capacity(*4)	IP64: Splash proof (rated for use in daily life) Note: Input Module is not water resistant.				
Accessories	Input Module (TCM-3010)	Input Module (PTM-3010)	Input Module (VIM-3010)	Input Module (AIM-3010)	Input Module (PIC-3150)
	Lithium Battery (LS14250), Strap, User's Manual (Warranty Included)				
Data Collection Devices	Communication Port: TR-50U2, TR-50U Data Collector: TR-57DCi				
<p>(*1) The included lithium battery (LS14250) is not sold in stores. Please purchase the optional battery set (TR-11P2) for replacement.</p> <p>(*2) Only use the CR2 within temperature range of -20 to 60 °C, avoiding exposing the CR2 to excessive vibration such as transportation.</p> <p>(*3) Battery life varies depending upon the ambient temperature in which it is used, the recording interval, the frequency of communication, and the battery performance. All estimates are based on operations carried out with a new battery and are in no way a guarantee of actual battery life. When the infrared communication function is enabled, battery life may be shortened further if the unit is used under the inverter type fluorescent lighting.</p> <p>(*4) This is the waterproof capacity of the data logger with the Input Module connected.</p>					

TR-55i



1. LCD Display
2. Infrared Port
3. Optical Communication Area
4. ALM (Warning LED)
5. Battery Cover
6. Module Jack