

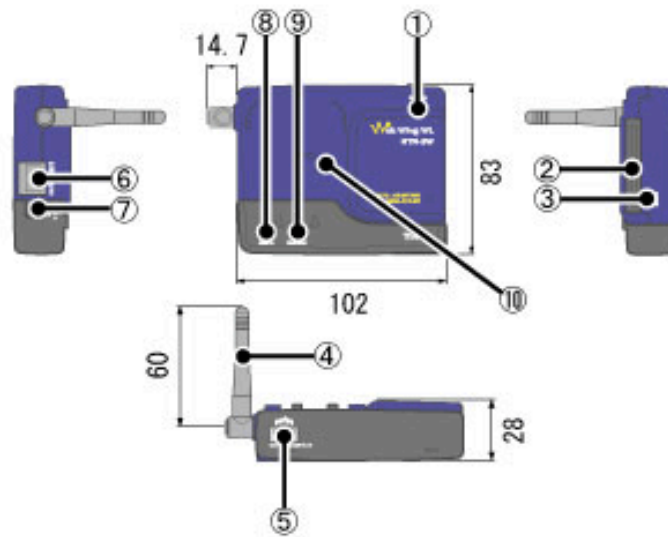
	RTR-5W
Compatible devices	RTR-51(L)/51A(L)/52(L)/52A(L)/52Pt(L)/53(L)/53A(L)/RVR-52A(L)
Function	<ul style="list-style-type: none"> - Download recorded data from RTR-5 Series Data Loggers - Control data loggers devices - Network Connection Functions - Monitor current readings via browser - View recorded data in simplified graph form via browser
Type of Communication	<p>Wireless Specifications ETSI EN 300-220 [Frequency Range: 433.050 to 434.79MHz], FCC Part15 Section249 / IC RSS-210 [Frequency Range: 902 to 928MHz] (Communication Range: about 100m if direct and unobstructed)</p> <p>LAN Specifications - Wired LAN: 100Base-TX /10Base-T (RJ45 Connector)</p>
External Output (Warning Output)	External Output (Warning Output) One point photo MOS relay contact 50V / 0.1A
Power	AC adaptor (AD-05C1 or AD-0605)
Current Consumption	300mA (when wired LAN is used)
Operating Environment	Temperature: 0 to 60°C / Humidity: 20 to 80%RH (No condensation)
Dimensions	H83mm x W102mm x D28mm (excluding protrusions)
Weight	About 135g
Standard Kit	Software, AC adaptor, LAN cable x 1
Compatible OS	Microsoft Windows 7 32/64bit English Microsoft Windows Vista 32bit English Microsoft Windows XP 32bit(SP2 or above) English Microsoft Windows 2000 English

* The RTR-5W is designed solely for network communication. It does not include any RS-232 or USB communication interface. To use this product, please make sure to connect it to a network. Moreover, in order to use this product via the Internet, you will need other devices such as a router and must make first necessary arrangements such as establishing an account with an Internet Service Provider for a line and getting a fixed IP address, domain, etc.

* If you already have the following wireless LAN card, please use as directed. The wireless LAN card which has been tested and proven compatible with RTR-5W is the Dark Marketing Corporation's Wireless LAN card "XI-815".The production and sales of this card have been discontinued.

* When making settings in an RTR-5W without any settings already made (when purchased or after resetting), it is necessary to carry out these settings using a wired LAN connection. After having made all the necessary settings via the wired connection, it is possible to use a wireless LAN connection.

RTR-5W



1. Power LED
2. CF interface slot
3. Reset Button
4. Wireless Communication Antenna
5. External Output Terminal
6. Ethernet Jack (RJ-45)
7. AC adapter Jack
8. Alarm LED
9. Monitor LED
10. Optical Communication Area